

JE 2-120 G10 NM20



Electric - Qmax 44 m³/h - 733 l/min (193 USgpm) - Hmax 20 m (65 ft)

Code 8381064333



Product Data

Suction port
Threaded - 2" ISO 228 (BSP)

Delivery port
Threaded - 2" ISO 228 (BSP)

Qmax
44 m³/h - 733 l/min (193 USgpm)

Hmax
20 m (65 ft)

Solids handling
25 mm (1")

Motor power
2,2 kW - 3 HP

Motor type
Single-phase Standard IEC

Weight
66 kg (145 lb)

Indicative picture of the product

Close-coupled self-priming centrifugal pump with single-phase electric motor

Characteristics

The J series self-priming centrifugal pumps are used in applications where a rapid priming capacity is required from demanding suction heights combined with the ability to transfer and manage polluted fluids, dirty and abrasives with suspended large diameter solids. The system is based on an inspectable pump casing which also acts as a water tank allowing a first quick priming without auxiliary systems, simplifying management of the system and reducing the time for maintenance. Within the physically permitted suction height limits, J pumps are a more comfortable and reliable solution than submersible pumps and vertical submersed impeller pumps.

Benefits

- 1) Rapid self-priming**
Without foot valve up to a height of 7.5 m (24.5 ft)
- 2) High resistance**
To abrasive liquids which are turbid and sandy
- 3) Semi-open impeller**
High thickness casting impact resistant
- 4) Wear plate/plates**
Easily replaceable cast iron wear plate/plates
- 5) Easy maintenance**
Removable front cover for direct access to the impeller

Applications

Industry:

clean, dirty, sandy, muddy, neutral, alkaline, acidic liquids; low viscous petroleum products, solvents even if dirty; milk of lime, caustic soda; washing, cooling, recirculation, smoke scrubbing.

Treatment:

pumping polluted corrosive wastewater containing sand, mud or solids in suspension; dosing neutralizing liquids; pumping out settled sludge.

Naval:

loading and unloading; bilge pumping; washing, fire-fighting, stripping, sanitary duty and circulation.

Agriculture:

surface irrigation; liquid manure oxygenation; transfer and spraying liquid manure or fertilizers; distribution of liquid animal feed; transfer of wine must; washing.

Varisco S.r.l. has certified its Quality, Environment and Safety Management System in accordance with the requirements of the international standard ISO 9001-14001-45001, recognized by the Lloyd Register.

Specification is subject to change without prior notice. Please check with your Varisco representative for the latest specifications.
Document release date: December 16th 2024

www.variscopumps.com

JE 2-120 G10 NM20



PERFORMANCE CURVES

Test according to **UNI EN ISO 9906 standard - level 2B**

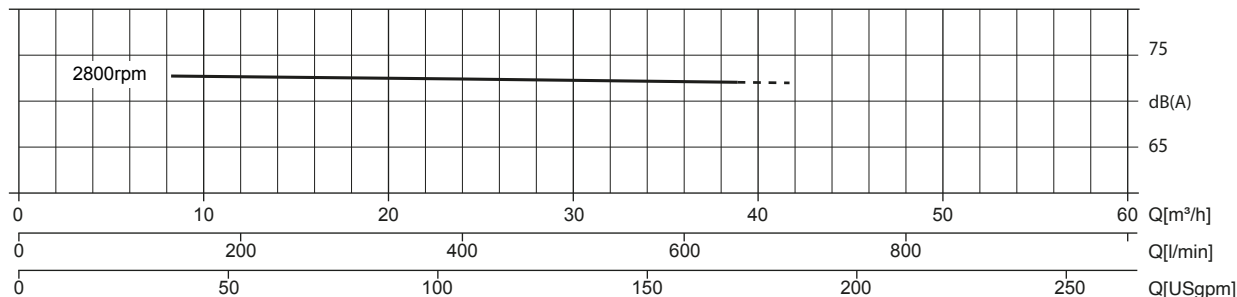
Installed power: **2,2 kW - 3 HP (2.800 rpm)**

Test liquid: **clean water, density 1.000 kg/m³**

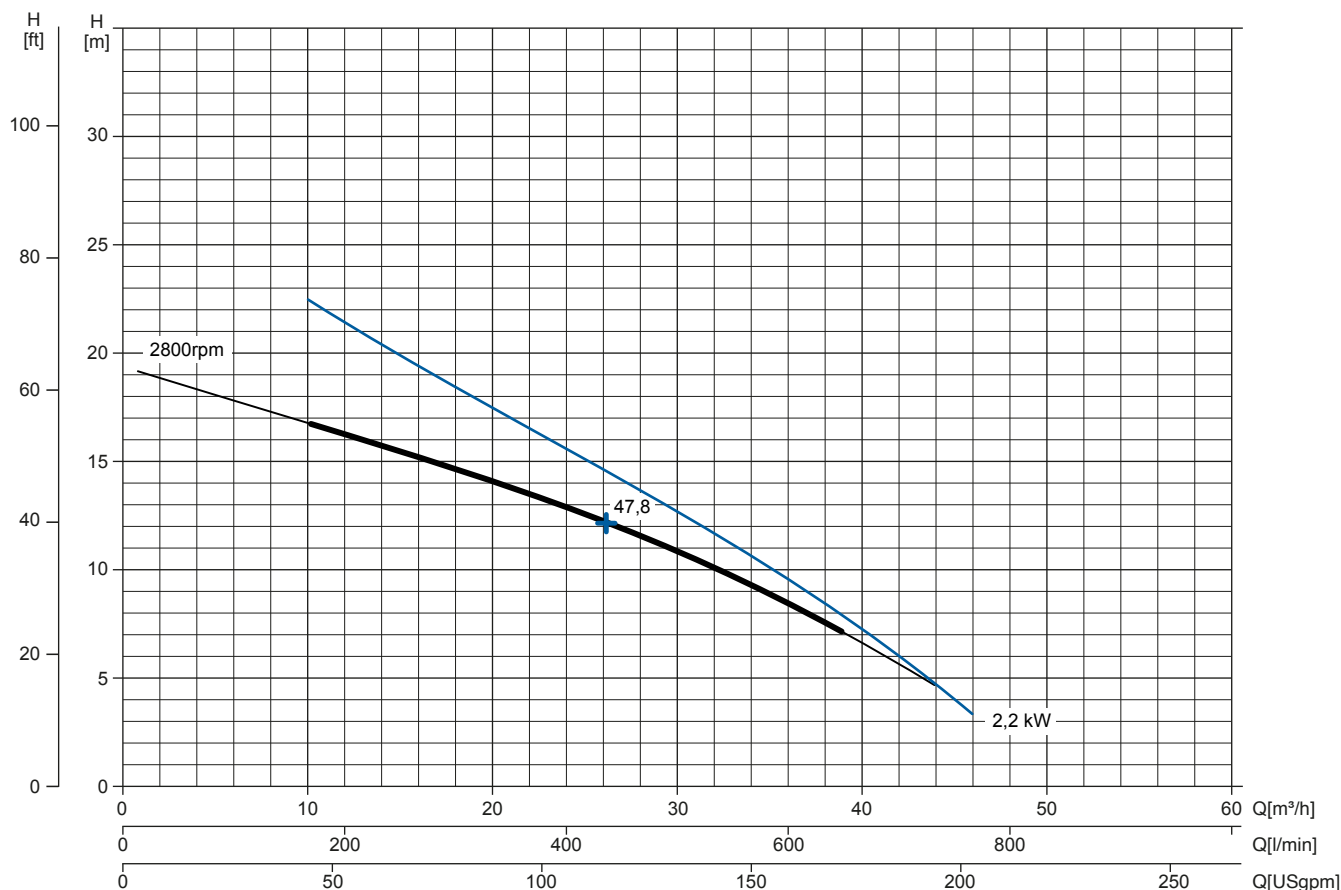
Spherical solids handling: **D.25 mm (1")**

Noise Curve

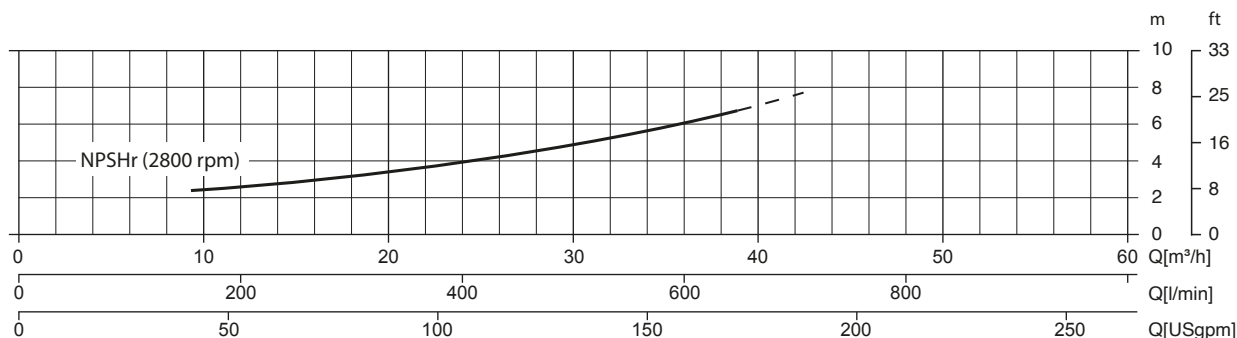
dB(A)=max noise level at 1 m



Speed Curve



NPSHr Curve



JE 2-120 G10 NM20



TECHNICAL DATA

Pump

Pump model	JE 2-120 G10 NM20
Qmax [2.800 rpm]	44 m ³ /h - 733 l/min (193 USgpm)
Hmax [2.800 rpm]	20 m (65 ft)
Suction port	Threaded - 2" ISO 228 (BSP)
Delivery port	Threaded - 2" ISO 228 (BSP)
Impeller type	Semi open, 3 vanes
Solids handling	25 mm (1")
Casing	EN 1561 EN-GJL-200 cast iron
Impeller	EN 1561 EN-GJL-200 cast iron
Wear plate	EN 1561 EN-GJL-200 cast iron
Non-return valve	check valve, NBR
Shaft	C45E EN 10083-2 steel
Mechanical seal	Silicon Carbide / Silicon Carbide
Elastomers	NBR
Lubrication	Grease

Motor

Mains supply (Single-phase)	230V +/-5%
Frequency (Nominal speed)	50 Hz +/-3% / 2.800 rpm
Absorbed current	12,2 A
Starting Current Is/In	5,4
Efficiency (100%)	83,2% (IE2)
Model	Soga MMD2
Standards	IEC 60034-1
Construction	aluminium, TEFC
Mounting arrangement	IM 2101 B34
No. poles	2
Rated power	2,2 kW - 3 HP
Degree of protection	IP55
Markings	CE
Insulation class/Temperature	F/105°K
Duty type	Continuous - S1
Temperature sensors	N/A

Arrangement

Dimensions	190 x 596 x 293 mm (7.5 x 23.5 x 11.5")
Coating	Polyurethane enamel, average thickness of 100 µm
Color	RAL 5010 blue (standard)
Features	Close-coupled with rigid coupling "N"
Height connection	0,2 m (0.7 ft)

Optionals

Flanged ports DN50 PN16 EN1092-2 Type B	cod. 10042783
Flanged ports 2" ANSI B16.1 Class 125 R.F.	cod. 10042818
Automatic mechanical seal greaser	code 10008316

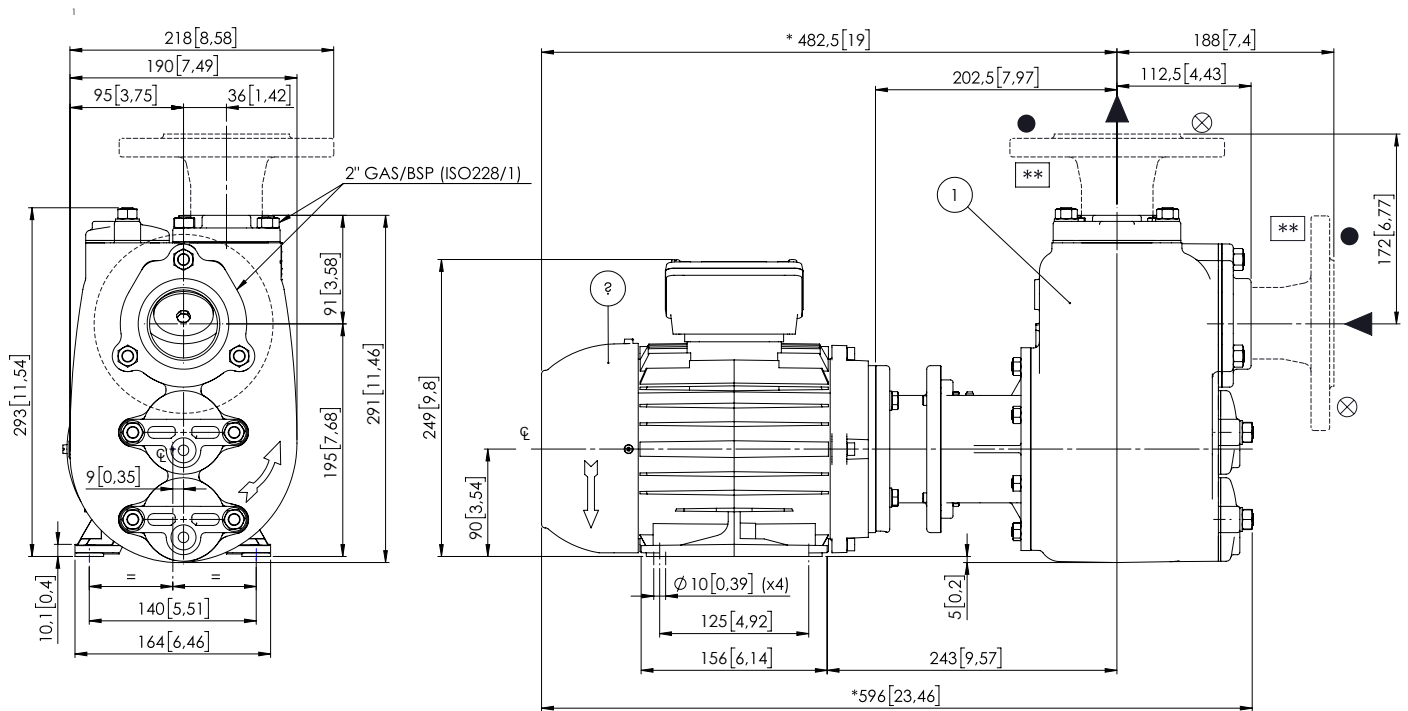
Weight

Net weight	66 kg (145 lb)
------------	----------------

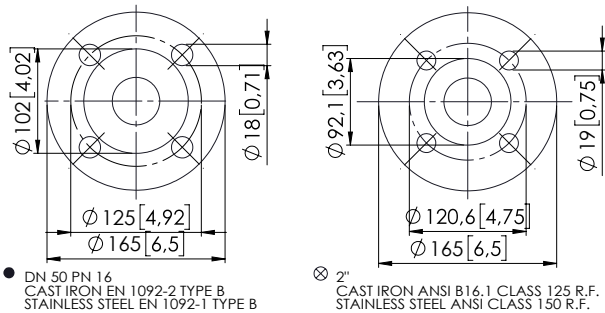
JE 2-120 G10 NM20

DIMENSIONS

mm [in]



FLANGIATURA SU RICHIESTA / FLANGES ON REQUEST



PACKAGING DIMENSIONS

Dimensions

JE 2-120 G10 NM20 (L x W x H mm)

720 x 270 x 480 mm

Gross weight (pump + packing)

70 kg (154 lb)

